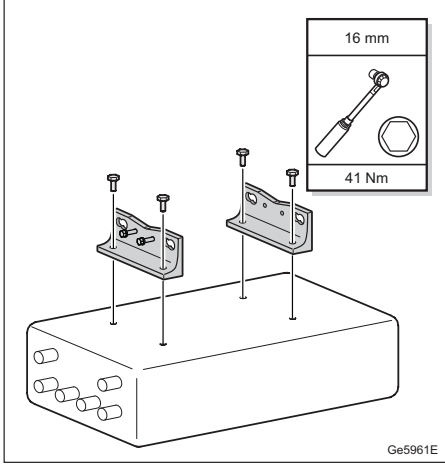
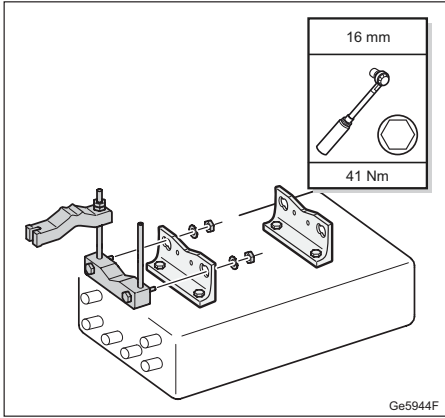
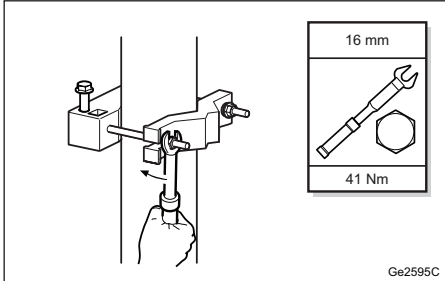
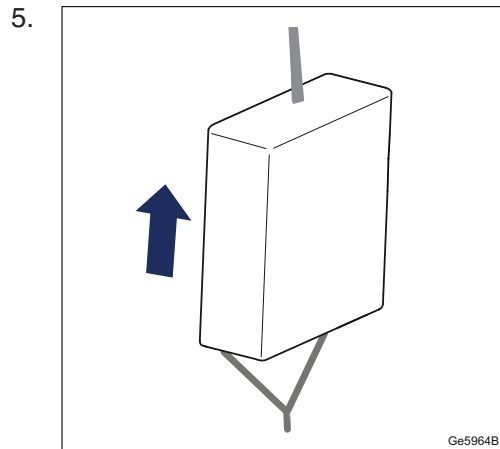




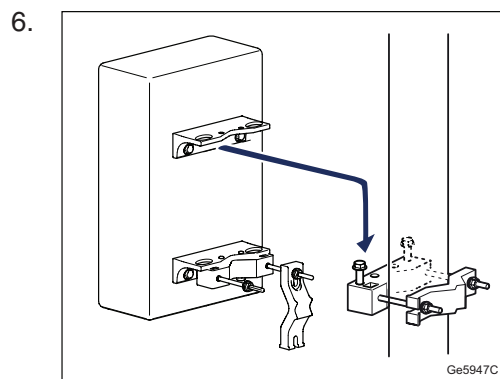
## 8.1 Single Unit Pole Installation

To install the RRU using a single unit pole installation kit, do the following:

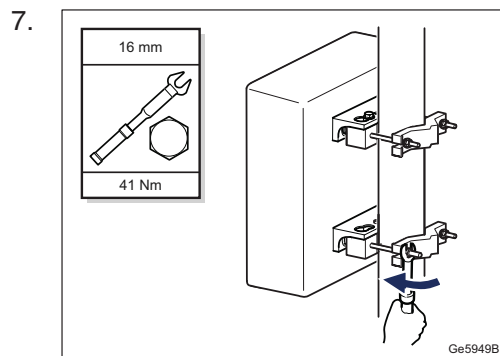
1.  Install the upper and the lower mounting brackets on the back of the RRU.
2.  Install the lower pole clamp on the RRU.
3. To install the optional PSU, proceed to Section 10.4.5.1 on page 54, otherwise continue the installation of the RRU in Step 4.
4.  Install the upper pole clamp in the desired position on the pole. Fasten the washers and nuts to the clamp bolts and finger-tighten. Adjust the pole clamp so that the clamp bolts run parallel on each side of the pole and tighten the nuts.



Hoist the RRU as described in Section 4.3 on page 12.

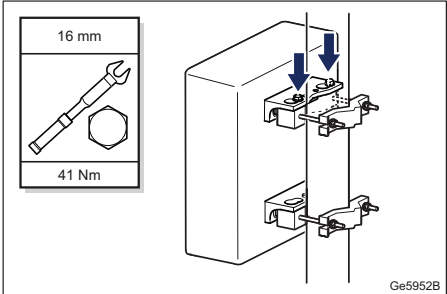


Hook the RRU onto the stud bolts of the upper mounting bracket. Mount the washers and nuts on the stud bolts, and finger-tighten them.



Close the lower pole clamp around the pole and finger-tighten the nuts. Adjust the pole clamp so that the clamp bolts run parallel on each side of the pole, and tighten the nuts.

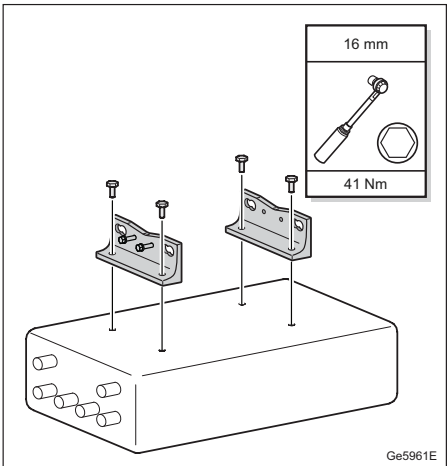


8.  Tighten the nuts on the upper support.

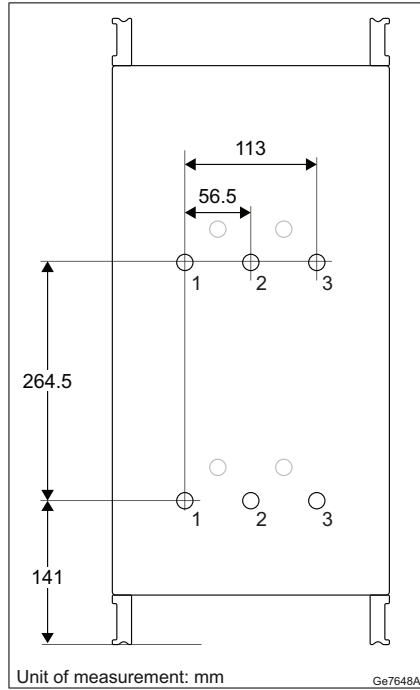
9. Continue the installation of the RRU in Section 10 on page 45.

## 8.2 Single Unit Wall Installation

To install the RRU using a single unit wall installation kit, do the following:

1.  Install the upper and the lower mounting brackets on the back of the RRU.

2. To install the optional PSU, proceed to Section 10.4.5.1 on page 54, otherwise continue the installation of the RRU in Step 3.
3. **Note:** Wear protective equipment when drilling.



Mark and drill holes in the wall using the illustration for hole positions.

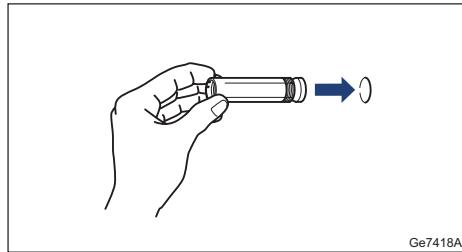
Fit the depth restrictor to the hammer drill to regulate the depth of each hole.

The number of holes depends on the wall material, as is specified by site engineering department. A minimum of two holes is recommended for each bracket.

One of the following solutions for hole positions must be used:

- 1, 3
- 1, 2, 3

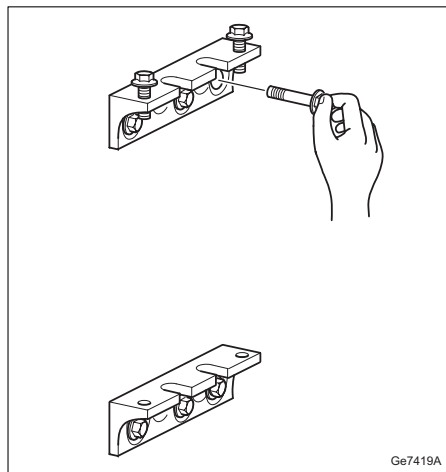
4.



Insert plugs or expander bolts into each hole.

Plugs or expander bolts are not delivered with the unit. They must be specified by the site engineering department.

5.



Position the upper and the lower bracket over the drilled holes and insert the bolts. Tighten them according to the recommendations given by the site engineering department.