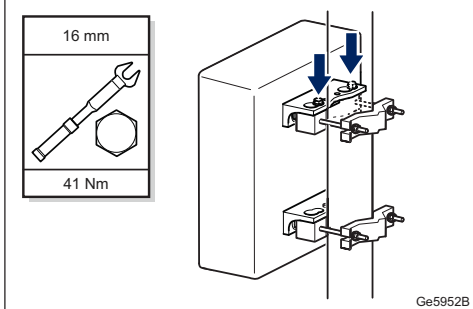


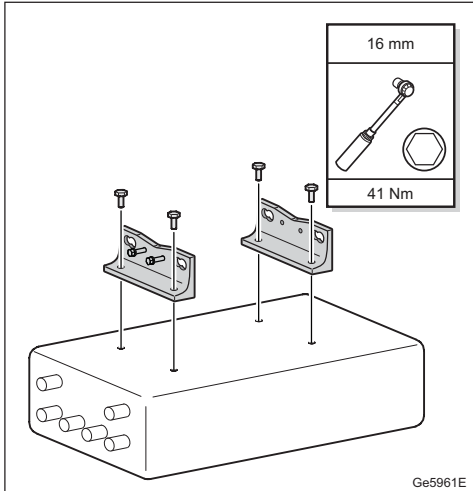


8.  Tighten the nuts on the upper support.

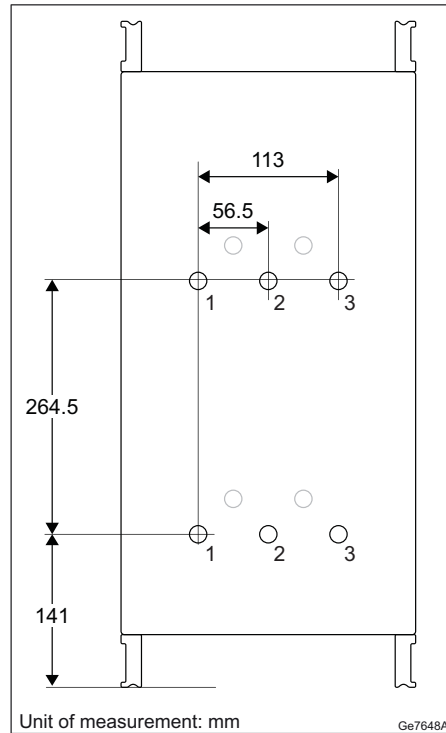
9. Continue the installation of the RRU in Section 10 on page 45.

## 8.2 Single Unit Wall Installation

To install the RRU using a single unit wall installation kit, do the following:

1.  Install the upper and the lower mounting brackets on the back of the RRU.

2. To install the optional PSU, proceed to Section 10.4.5.1 on page 54, otherwise continue the installation of the RRU in Step 3.
3. **Note:** Wear protective equipment when drilling.



Mark and drill holes in the wall using the illustration for hole positions.

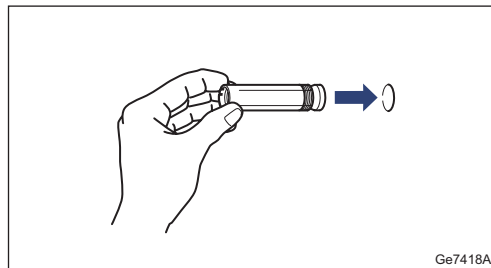
Fit the depth restrictor to the hammer drill to regulate the depth of each hole.

The number of holes depends on the wall material, as is specified by site engineering department. A minimum of two holes is recommended for each bracket.

One of the following solutions for hole positions must be used:

- 1, 3
- 1, 2, 3

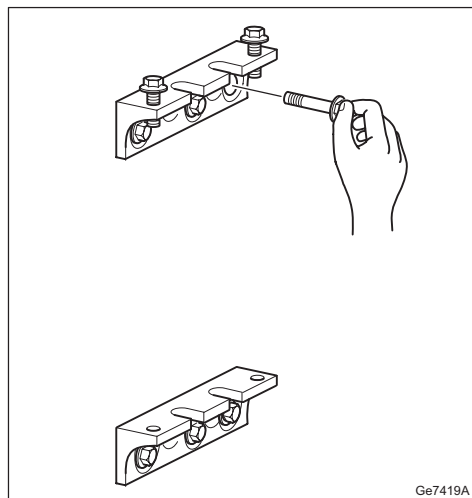
4.



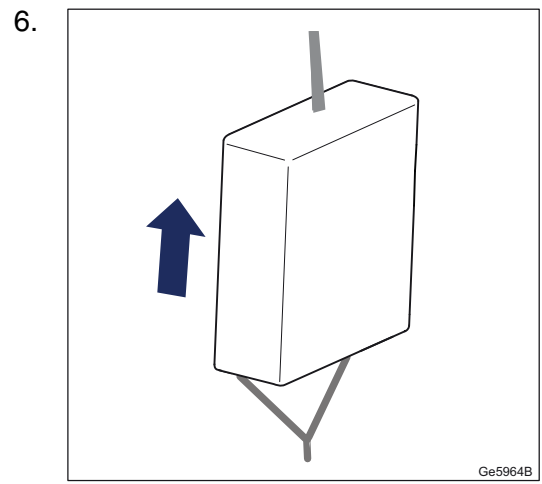
Insert plugs or expander bolts into each hole.

Plugs or expander bolts are not delivered with the unit. They must be specified by the site engineering department.

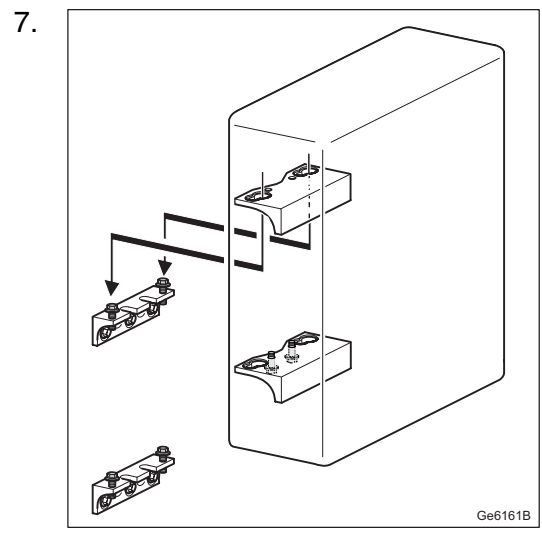
5.



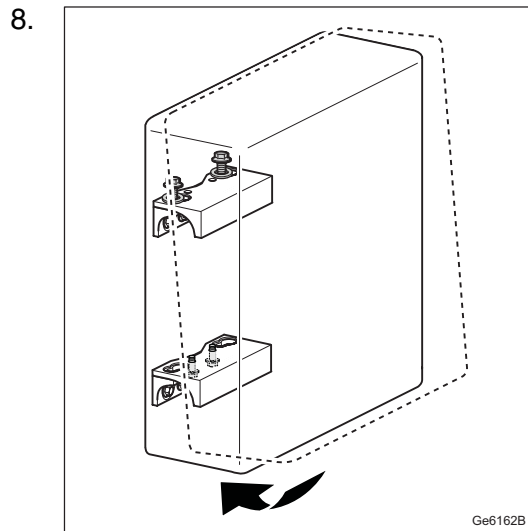
Position the upper and the lower bracket over the drilled holes and insert the bolts. Tighten them according to the recommendations given by the site engineering department.



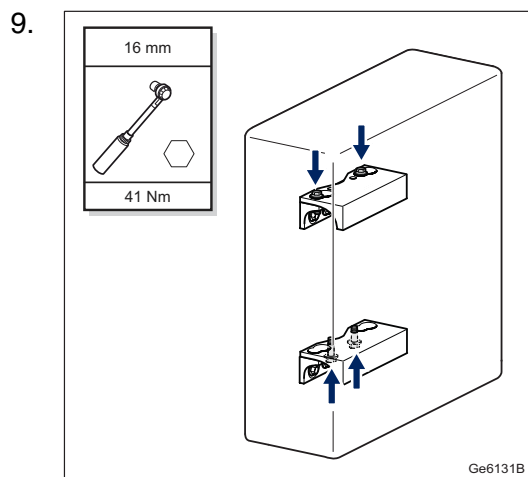
Hoist the RRU as described in Section 4.3 on page 12.



Hook the RRU onto the bolts on the upper wall bracket and finger-tighten the bolts.



Push the lower part of the RRU against the wall.



Tighten the bolts. Use a socket extension when tightening the lower bolts.

10. Continue the installation of the RRU in Section 10 on page 45.

## 8.3 Dual Unit Back-to-Back Pole Installation

To install the RRU using a dual unit back-to-back pole installation kit, do the following: