



RRUS 32 B66 Data Sheet

For Turf Vendors

2016-05-10 Rev E

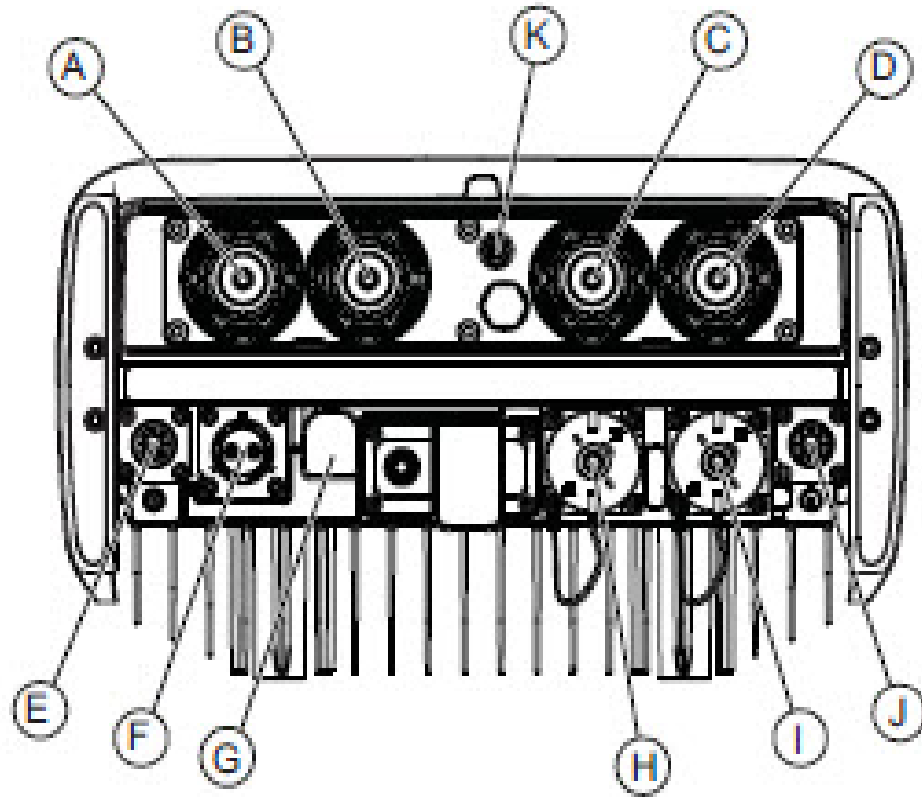
RRUS 32 B66



- › AWS
 - TX = 2110 – 2180 MHz
 - RX = 1710 – 1780 MHz
- › CPRI 2 ports x 10 Gbps. **Install 2 SFPs and connect 2 fiber pairs to the RRUS32 during initial install.**
- › Only use Ericsson supplied and approved SFPs **RDH10247/3**
- › 6 external alarm inputs
- › Max wind load @ 50m/sec = 350N
- › Breaker size = **30A**, DC Power Consumption = **880W (for dimensioning)**
- › 200mm horizontal separation required for side by side mounting
- › 200mm separation required from antenna backplane to radio
- › 600mm/800mm vertical outdoor/indoor separation required
- › Min, Max DC cable size from squid to radio = **10,8 AWG**
 - Adapter is required for 2-wire connection
 - Shielded DC cable is required
- › Ground cable size = **2AWG**
- › Dimensions (incl. handles, feet and sunshield)
 - Height: 27.2" (690 mm)
 - Width: 12.1" (306 mm)
 - Depth: 7.0" (178 mm)
- › Weight, excl. mounting hardware = 53 lbs (24 kg)



RRUS 32 B2 Connection INter FACES



Position	Description	Marking
A	Antenna A	A
B	Antenna B	B
C	Antenna C	C
D	Antenna D	D
E	Antenna Line Device (ALD) ⁽¹⁾	ALD
F	-48 V DC power supply	POWER
G	Grounding	
H	Optical cable 1	
I	Optical cable 2	
J	External alarm	
K	For future use	-

(1) Used for a Remote Electrical Tilt (RET) unit, for example.

CPRI, RET/AISG port, and ALD port caps have lanyards attached to the radio. DC and RF ports have protective caps to be removed when DC, RF connected to radio.



ERICSSON