

RRUS 4478 B5 DATA SHEET

For Turf Vendors

2017-11-02 Rev B

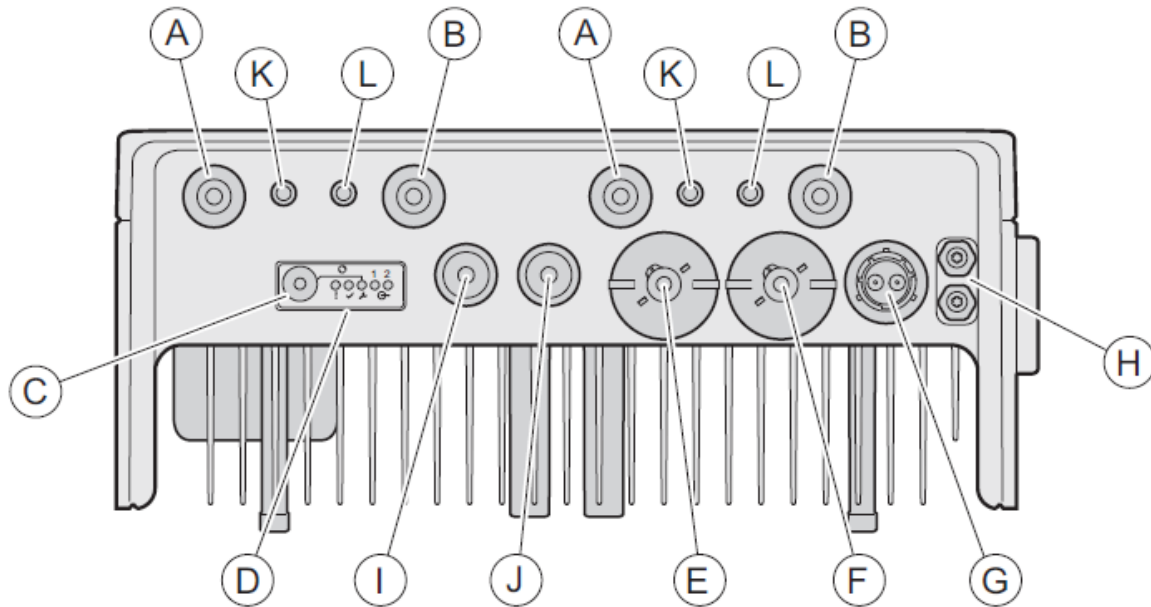
RRUS 4478 B5



- › B5
 - TX = 869 – 894 MHz
 - RX = 824 – 849 MHz
- › CPRI 2 ports x 2.5/4.9/9.8/10.1 Gbps. **Install 2 SFPs and connect 2 fiber pairs to the RRUS 4478 during initial install.**
- › Only use Ericsson supplied and approved SFPs
 - 2x SFP3 RDH 10247/25 for cellular A OR B block
 - 2x SFP7 RDH 10265/25 for cellular A AND B block
 - Exception cases: 2xSFP7 RDH 10265/3 for CPRI Length 1.4 – 10km
 - › 2xSFP7 RDH 10270/1 & RDH 10270/2 for CPRI length > 10km
- › 2 external alarm inputs
- › Max wind load @ **50m/sec = 260N**
- › Breaker size = **25A**, DC Power Consumption = **805W (for dimensioning)**
- › **200mm** horizontal separation required for side by side mounting
- › **200mm** separation required from antenna backplane to radio
- › **400mm** vertical outdoor/indoor separation required between 2 radios
- › **500mm** vertical separation below antenna
- › Min, Max DC cable size from squid to radio = **10,8 AWG**
 - Adapter is required for 2-wire connection
 - Shielded DC cable is required
- › Ground cable size = **2AWG**
- › Dimensions (incl. handles, feet and sunshield, w/o fan unit)
 - Height: **16.5"** (420 mm)
 - Width: **13.4"** (340 mm)
 - Depth: **7.7"** (196 mm)
- › Weight, excl. mounting hardware = **59.9 lbs (27.2 kg)**



RRUS 4478 B5 CONNECTION INTERFACES



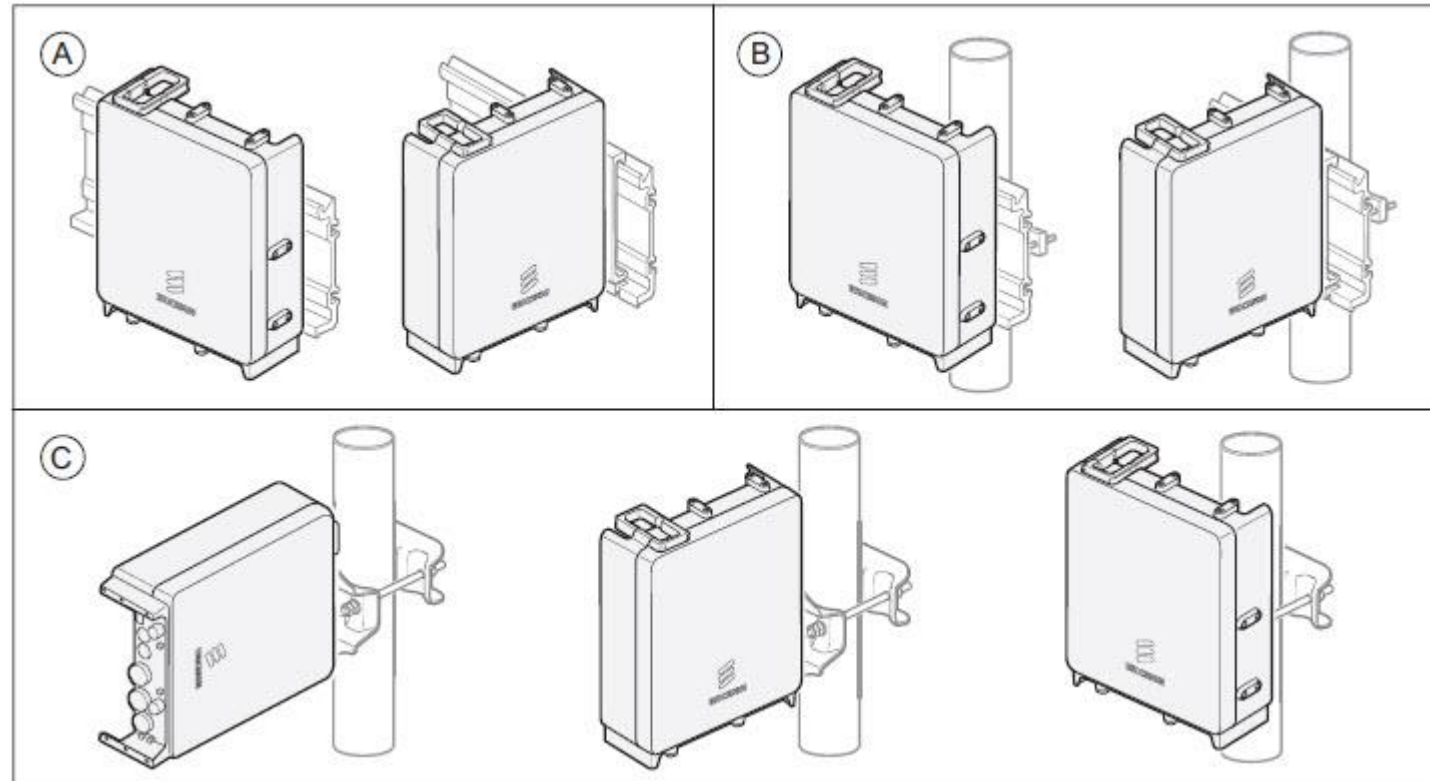
Ge12249A

| Position | Description | Marking |
|----------|--------------------|-------------------|
| A | Antenna A | A ⚡ |
| B | Antenna B | B ⚡ |
| C | Maintenance button | - |
| D | Optical indicators | ! ✓ ✗ ⊕ 1, ⊕ 2 |
| E | Optical cable 1 | ⊕ 1 |
| F | Optical cable 2 | ⊕ 2 |

| Position | Description | Marking |
|------------------|--|---------|
| G | -48 V DC power supply | POWER |
| H | Grounding | ⚡ |
| I | External alarm and fan unit power supply and control | ⚡ |
| J | ALD (used for a RET unit for example) | ALD |
| K ⁽¹⁾ | TX monitor A | A ⚡ |
| L ⁽¹⁾ | TX monitor B | B ⚡ |

CPRI, RET/AISG port, and ALD port caps have lanyards attached to the radio. DC and RF ports have protective caps to be removed when DC, RF connected to radio.

RBS 4478 MOUNTING OPTIONS





ERICSSON