

# RRUS 4478 B14 DATA SHEET

For Turf Vendors

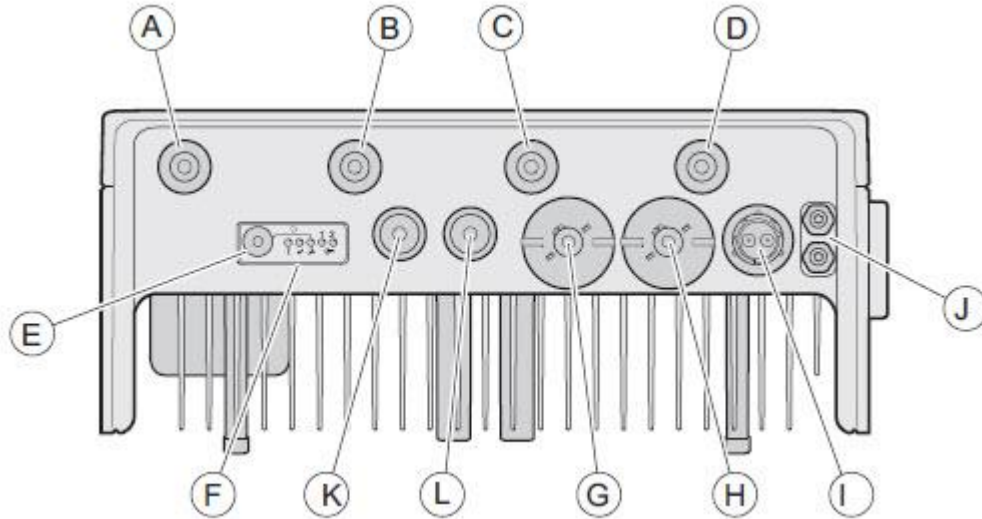
2017-11-01 Rev F

# RRUS 4478 B14

- › B14
  - TX = 758 – 768 MHz
  - RX = 788 – 798 MHz
- › CPRI 2 ports x 2.5/4.9/9.8/10.1 Gbps. **Install 1 SFP and connect 1 fiber pair to the RRUS 4478 during initial install.**
- › Only use Ericsson supplied and approved SFPs **RDH10265/25** until 12/1/2017, after use **RDH10247/25**
- › 2 external alarm inputs
- › Max wind load @ **50m/sec = 260N**
- › Breaker size = **25A**, DC Power Consumption = **650W (for dimensioning)**
- › **200mm** horizontal separation required for side by side mounting
- › **200mm** separation required from antenna backplane to radio
- › **500mm/800mm** vertical outdoor/indoor separation required
- › Min, Max DC cable size from squid to radio = **10,8 AWG**
  - Adapter is required for 2-wire connection
  - Shielded DC cable is required
- › Ground cable size = **2AWG**
- › Dimensions (incl. handles, feet and fan unit)
  - Height: **18.1"** (460 mm)
  - Width: **13.4"** (342 mm)
  - Depth: **8.26"** (210 mm)
- › Weight, excl. mounting hardware = **59.4 lbs (27 kg)**



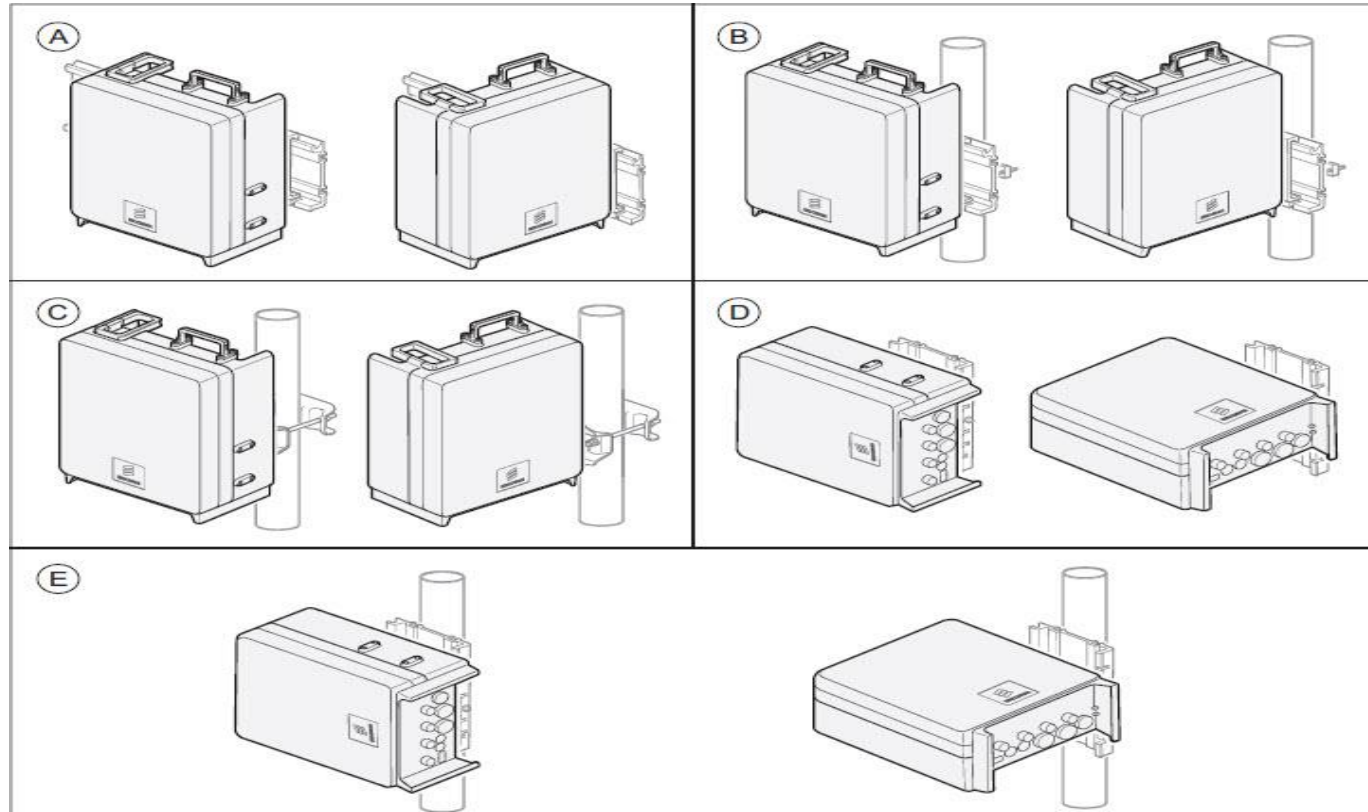
# RRUS 4478 B14 CONNECTION INTERFACES



Position	Description	Marking	Connector Types	Cable Types
A	Antenna A	A ↗ ↘	4.3-10 connector	
B	Antenna B	B ↗ ↘		
C	Antenna C	C ↗ ↘		
D	Antenna D	D ↗ ↘		
E	Maintenance button	-	-	-
F	Optical indicators	! , ✓ ↗ ↘	-	-
G	Optical cable 1	↻ 1	LC (On SFP) with support for FullAXS	
H	Optical cable 2	↻ 2		
Position	Description	Marking	Connector Types	Cable Types
I	-48 V DC power supply	POWER	Power connector	
J	Grounding	⚡	2 x M6 bolt	
K	External alarm and fan unit power supply and control	⚡ ⚠	Mini-DIN connector, 14 pin	
L	ALD (used for a RET unit for example)	ALD	Mini-DIN connector, 8 pin	

CPRI, RET/AISG port, and ALD port caps have lanyards attached to the radio. DC and RF ports have protective caps to be removed when DC, RF connected to radio.

# RRUS 4478 B14 MOUNTING OPTIONS





**ERICSSON**